



**Assembly, Installation, Operation and
Maintenance Instructions
Replacement Rear Bumper**

**Part Number:
FX1017**

180 minutes

Dealer / Installer: Provide a copy of these instructions to the end user of this product. These instructions provide important operating and safety information for proper usage of this product. Demonstrate the proper use of the product with the end user. Have the end user demonstrate that they understand the proper use of the product.

End User: Read and follow all instructions included in this manual. Ask your Dealer / Installer for assistance if you do not understand the proper use of the product. Never remove any decals from the product. Failure to follow these instructions can result in injury or death.

⚠ WARNING ⚠

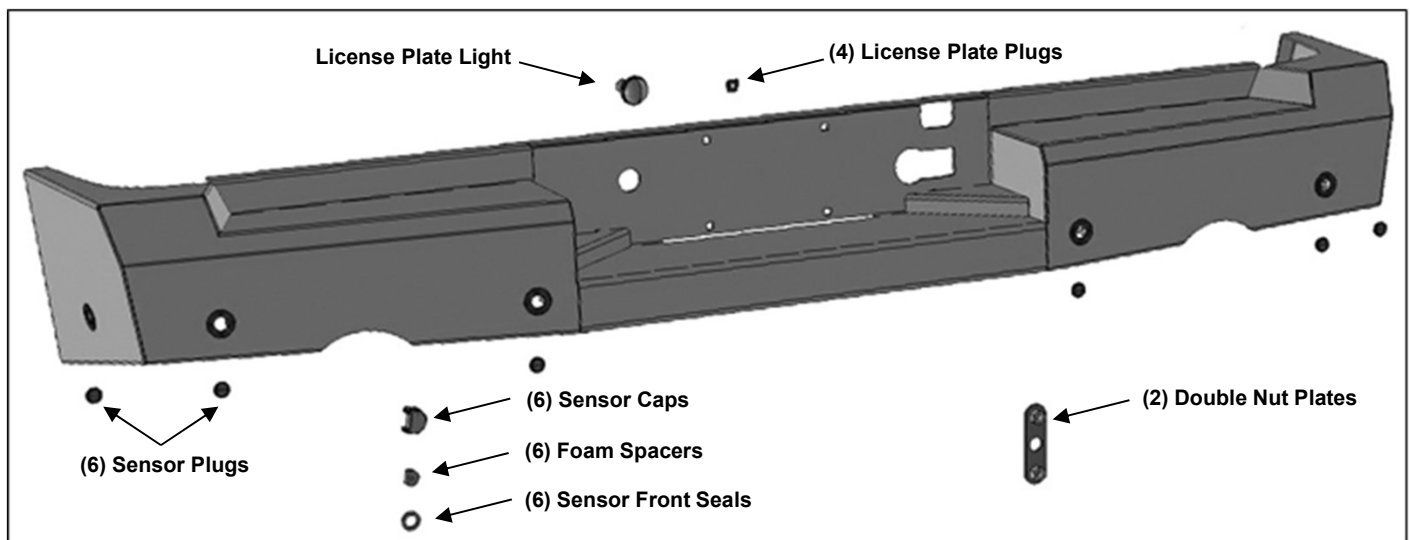
APPLICATION: 2019-2022 RAM 1500

PARTS LIST:

Qty	Part Description	Qty	Part Description
1	Rear Bumper Assembly	4	5mm x 20mm Button Head Phillips Screws
1	Push in License Plate Light	8	5mm x 15mm x 1.2mm Flat Washers
4	Plastic Plugs for license plate mount	4	5mm Lock Washers
6	Sensor Retaining Caps	4	5mm Hex Nuts
6	20mm x 10mm Foam Spacers	12	4mm Self Tapping Screws
6	15.5mm x 25mm x 2mm Foam Washers	2	4mm x 10mm Button Head Bolts
6	Sensor Hole Plugs	2	4mm x 12mm x 1.0mm Flat Washers
1	Sensor Cover Kit	2	4mm Lock Washers
2	12mm Double Nut Plates	2	4mm Hex Nuts
4	12-1.75mm x 35mm Hex Bolts	1	2.5mm Wrench
4	12mm x 37mm x 3mm Flat Washers	10	Nylon Cable Ties 200mm
4	12mm Lock Washers		

TORQUE SPECIFICATION

Size	Torque	Size	Torque
4 MM	4.41 Nm	5 MM	5.40 Nm



INSTALLATION PROCEDURE

REMOVE CONTENTS FROM BOX. VERIFY ALL PARTS ARE PRESENT. READ INSTRUCTIONS CAREFULLY BEFORE STARTING INSTALLATION. BUMPER IS HEAVY, ASSISTANCE IS HIGHLY RECOMMENDED TO AVOID POSSIBLE INJURY OR DAMAGE TO THE VEHICLE. ALLOW EXHAUST TO COMPLETELY COOL BEFORE STARTING INSTALLATION.

1. Start installation by unplugging the wiring harness leading to the rear bumper, (Figure 1). Move harness away from the bumper.
2. Remove the license plate. Remove the (2) hex bolts behind rear license plate, (Figure 2).
3. Place blocks or jack stands under the bumper to support it during bumper bolt removal. Once the bumper has been safely supported, remove the (4) factory hex nuts, (2 per side), and slide the rear bumper off of the end of the frame, (Figures 3 & 4). **WARNING!** Assistance is required to hold the bumper in place during hardware removal and to prevent the bumper from falling. Move the bumper to a clean stable work surface.
4. Unplug and remove the wiring harness from the factory bumper. Remove the towing harness plug and sensors if equipped
5. Determine if the vehicle is equipped with bumper mounted sensors. **NOTE:** Depending on tow package, it may be necessary or easier to install sensors, (if equipped), or plugs before installing the Bumper.

Models without bumper sensors:

1. From the front of the bumper, push the included Plugs into the sensor mounts, (Figure 5)

Models with bumper mounted parking sensors:

1. Remove the silicone seal from the end of the sensor. Slide the included larger Foam Seal over front of sensor, (Figure 6).
2. Insert sensor with Seal into sensor mount, (Figure 7).
3. Place Foam Spacer over the end of sensor. Push Sensor Retaining Cap onto sensor mount and lock into mounting holes, (Figure 7).
4. Repeat previous Steps to install remaining sensors.
5. Install wiring harness and plug into sensors. **IMPORTANT:** Run the wiring harness above the Brackets to clear the exhaust tips. It may be necessary to remove some of the outer wiring cover to allow the harness to reach the sensors. Use the included plastic Wire Ties to secure the harness

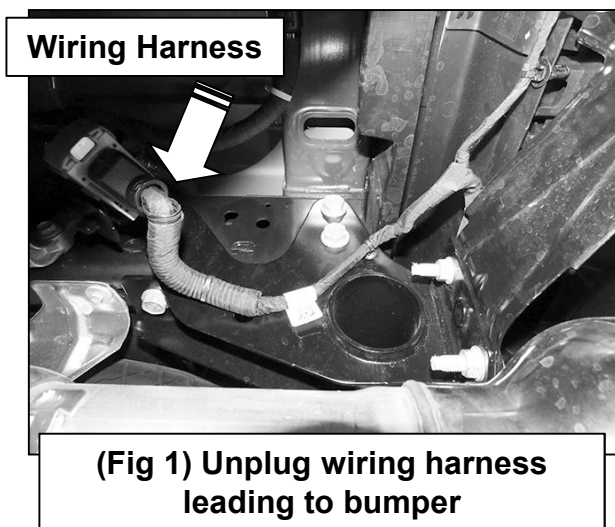
Models with bumper mounted parking sensors:

1. Remove the TPMS antenna from the back of the bumper, (Figure 8). **NOTE:** It may be necessary to partially disassemble the factory bumper to remove the antenna.
 2. Attach the antenna to tabs on back of the Bumper with the included (2) 4mm Button Head Screws, (2) 4mm Flat Washers, (2) 4mm Lock Washers and (2) 4mm Hex Nuts, (Figures 9 & 10). Do Not Overtighten 4mm hardware or damage to sensor could result.
 3. Once installed, plug wiring harness into TPMS sensor
6. Insert the License Plate Light into the hole in the Bumper. Attach Light to factory wiring harness. Insert the included (4) push-in plugs to attach the license plate to the Bumper, (Figure 11). Attach license plate to Bumper with the included (4) 5mm Button Head Bolts, (8) 5mm Flat Washers, (4) 5mm Lock Washers and (4) 5mm Hex Nuts, (Figure 11).
 7. Insert the trailer plug into the opening in the Bumper if equipped.

INSTALLATION PROCEDURE

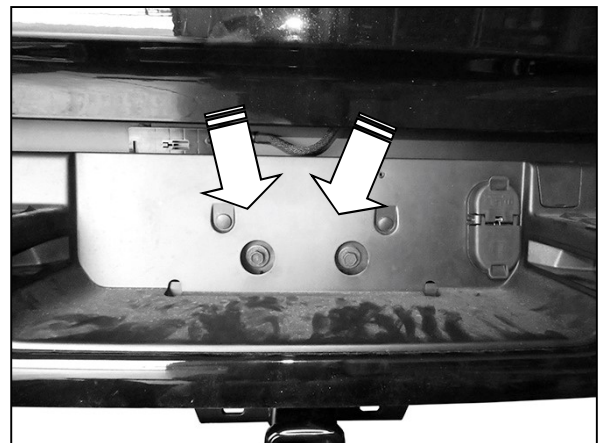
8. With assistance, position the Bumper up to the bumper brackets on the ends of the frame. Temporarily support the weight of the Bumper Assembly. **WARNING:** To avoid possible injury or damage to the vehicle, do not proceed until the Bumper is fully and safely supported.
9. Line up the (2) mounting holes in the back of the driver/left side of the bumper with the brackets on the end of the frame. Slide (1) 12mm Double Nut Plate into place behind the mounting plate, (Figure 12). Attach the Bumper to the frame and Nut Plate with (2) 12mm Hex Bolts, (2) 12mm Lock Washers and (2) 12mm Flat Washers, (Figures 12 & 13). Repeat to attach the passenger/right side of the Bumper.
10. Open the tailgate and check for clearance. Level and adjust the Bumper and tighten all hardware.
11. Reattach the bumper wiring harness to the main wiring harness.
12. Do periodic inspections to the installation to make sure that all hardware is secure and tight

INSTALLATION PROCEDURE IMAGES:



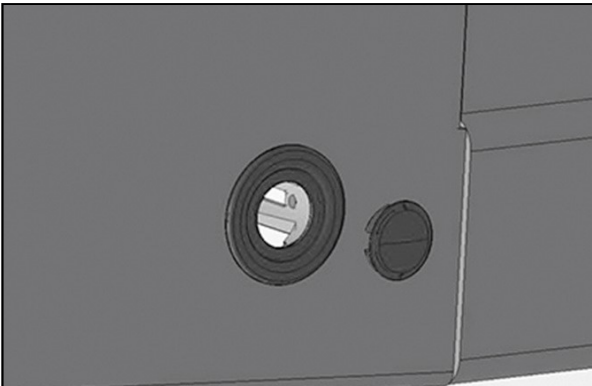
WARNING! Do not remove bumper bolts unless the bumper is properly supported on blocks or stands or it may fall.

Models with dual exhaust, allow exhaust to completely cool before starting installation

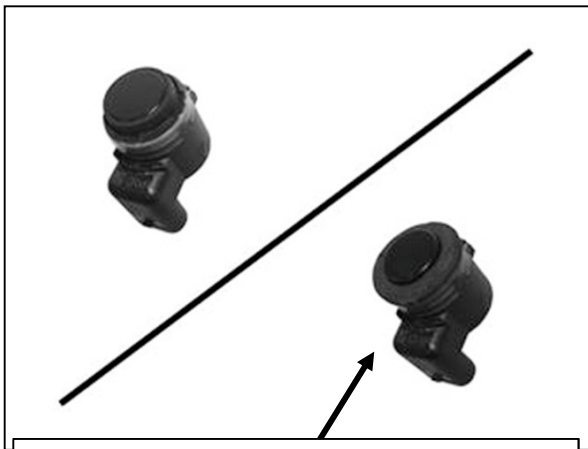




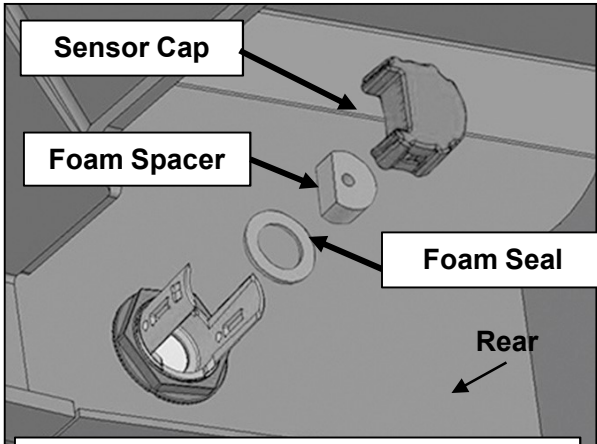
(Fig 4) Factory bumper assembly removed



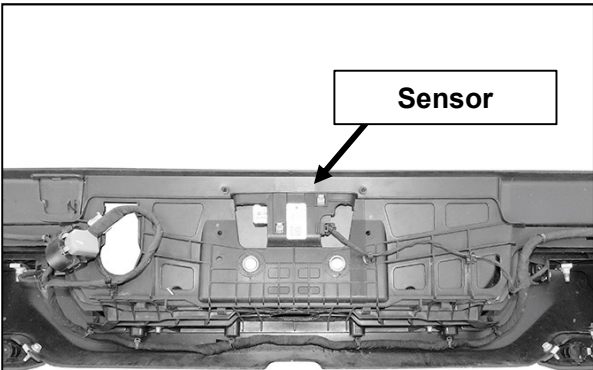
(Fig 5) Push Plug into sensor mount



(Fig 6) Remove silicone seal from sensor. Slide large Seal over end of sensor (arrow)

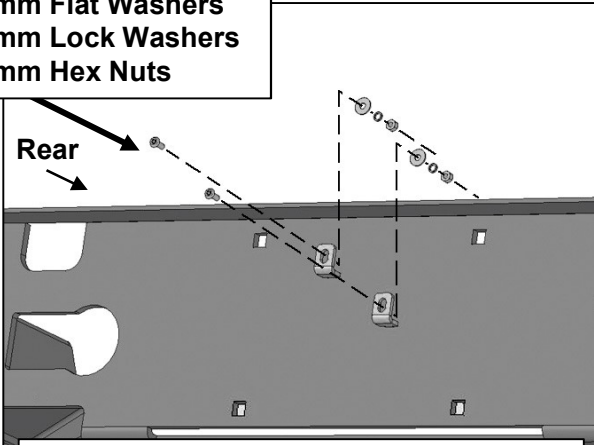


(Fig 7) Slide sensor into sleeve, insert Foam Washer and Clip to lock sensor in sleeve

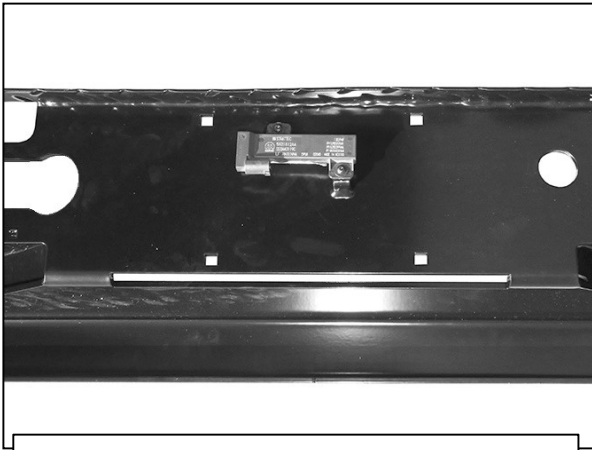


(Fig 8) Remove tire pressure monitoring sensor (TPMS) from back of bumper, if equipped

- (2) 4mm Screws
- (2) 4mm Flat Washers
- (2) 4mm Lock Washers
- (2) 4mm Hex Nuts



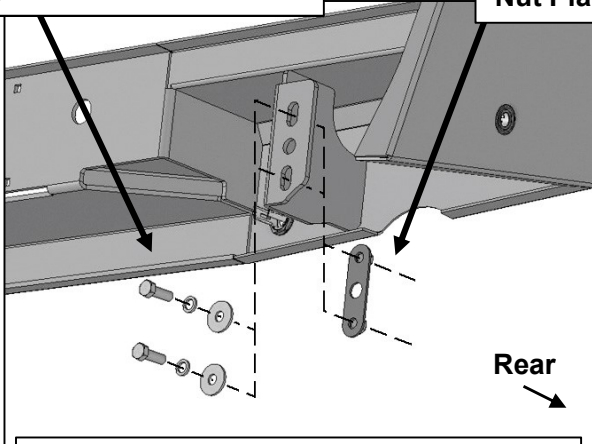
(Fig 9) Attach tire pressure monitoring sensor, if equipped, to tabs on back of bumper



(Fig 10) Attach tire pressure monitoring sensor, if equipped, to tabs on back of Bumper

- (4) Plastic Plugs
- (2) 5mm Phillips Screws
- (2) 5mm Lock Washers
- (2) 5mm Flat Washers

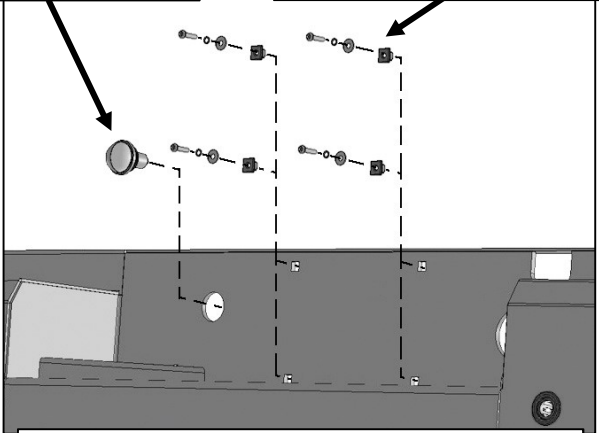
12mm Double Nut Plate



Rear

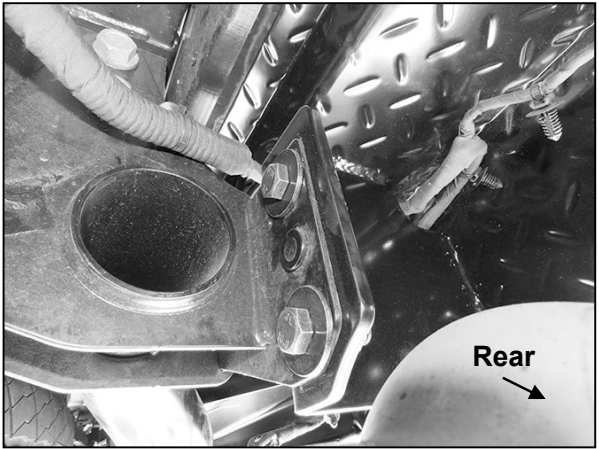
(Fig 12) Driver/left side illustrated

- License Plate Light**
- (4) Plastic Plugs
- (2) 5mm Phillips Screws
- (2) 5mm Lock Washers
- (2) 5mm Flat Washers



(Fig 11) Insert License Plate Light and Plastic Mounting Plugs

WARNING! Do not crawl under bumper unless it is properly supported on blocks or stands or the bumper may fall.



Rear

(Fig 13) Driver/left side pictured from behind bumper



PRODUCT CARE:

- Periodically check the product to ensure all fasteners are tight and components are intact.
- Use ONLY Non-Abrasive automotive wax. Use of any soap, polish or wax that contains an abrasive is detrimental and can scratch the finish leading to corrosion.
- Mild soap may be used to clean the Black finish product.

FAQ'S

- **Hardware and mounting brackets are not aligning properly**
 - Ensure that hardware is being used on the correct side of the vehicle. In some cases, the hardware may appear same for driver or passenger side but may alter the alignment of mounting location. Check mounting brackets for both sides.
- **Products are thumping / rattling after installation**
 - Ensure that all required mounting brackets / hardware's are installed & tighten correctly. Suggest using white lithium / regular grease between metal-to-metal contact.
- **Missing / Excess Hardware**
 - Recheck hardware count as per the part list.
- **Product not installing properly**
 - Ensure the Year / Make / Model as well as cab and bed dimensions are correct for the application. Review all steps for installation to ensure they were followed correctly.
- **Who should be contacted for questions regarding product / installation assistance?**
 - Visit www.trailfx.com / Email support@trailfx.com / Call 1(866) 638-4870

Warranty Terms:

3 Year Limited Warranty:

TrailFX and Keystone Automotive Operations Inc. make no guarantees or warranties for products not manufactured by Keystone Automotive Operations Inc. Such products are covered solely under any applicable warranty of the manufacturer. It is always recommended that the operating instructions and warranty instructions provided by the manufacturer are followed.

Keystone Automotive Operations Inc. warrants its products to be free from manufacturing and material defects to the original purchaser for the length of warranty stated above from the date of retail purchase. If any products are found to have a manufacturing or material defect, the product will be replaced or repaired at the option of TrailFX and Keystone Automotive Operations Inc. with proof of purchase by the original purchaser. The original purchaser shall pay all transportation and shipping costs associated with the return of the defective product and the defective product shall become the property of Keystone Automotive Operations Inc.

The Warranty applies to Keystone Automotive Operations Inc. products used for individual and recreational purposes. Commercial usage of the Keystone Automotive Operations Inc. products limits the warranty to 90-days from date of purchase.

The Warranty applies only to Keystone Automotive Operations Inc. products which are found to be defective in manufacturing or material. This warranty does not apply to normal wear and tear of the finish placed on Keystone Automotive Operations Inc. products.

TrailFX and Keystone Automotive Operations Inc. are not responsible for any labor costs incurred for removal or replacement of the defective product.

TrailFX and Keystone Automotive Operations Inc. are not responsible for repair or replacement of any product under the limited warranty where the product was improperly installed, misapplied, altered, abused, neglected, overloaded, misused or damaged as a result of an accident, including any use of the product not in accordance with all product operating and safety instructions.

Without limiting the generality of the foregoing, TrailFX and Keystone Automotive Operations Inc. shall under no circumstances be liable for any incidental or consequential loss or damage whatsoever arising out of, or in any way relating to any such breach of warranty or claimed defect in, or non-performance of the products. Some states do not allow the exclusion or limitation of incidental or consequential damages, so the above exclusion or limitation may not apply to you.

This limited warranty gives you specific legal rights, and you may also have other rights that vary from state to state.